



MODEL DUCATI MONSTER 696

YEAR 2008 - 2014

LINE SLIP ON

MUFFLER SUONO

SCHEMATIC

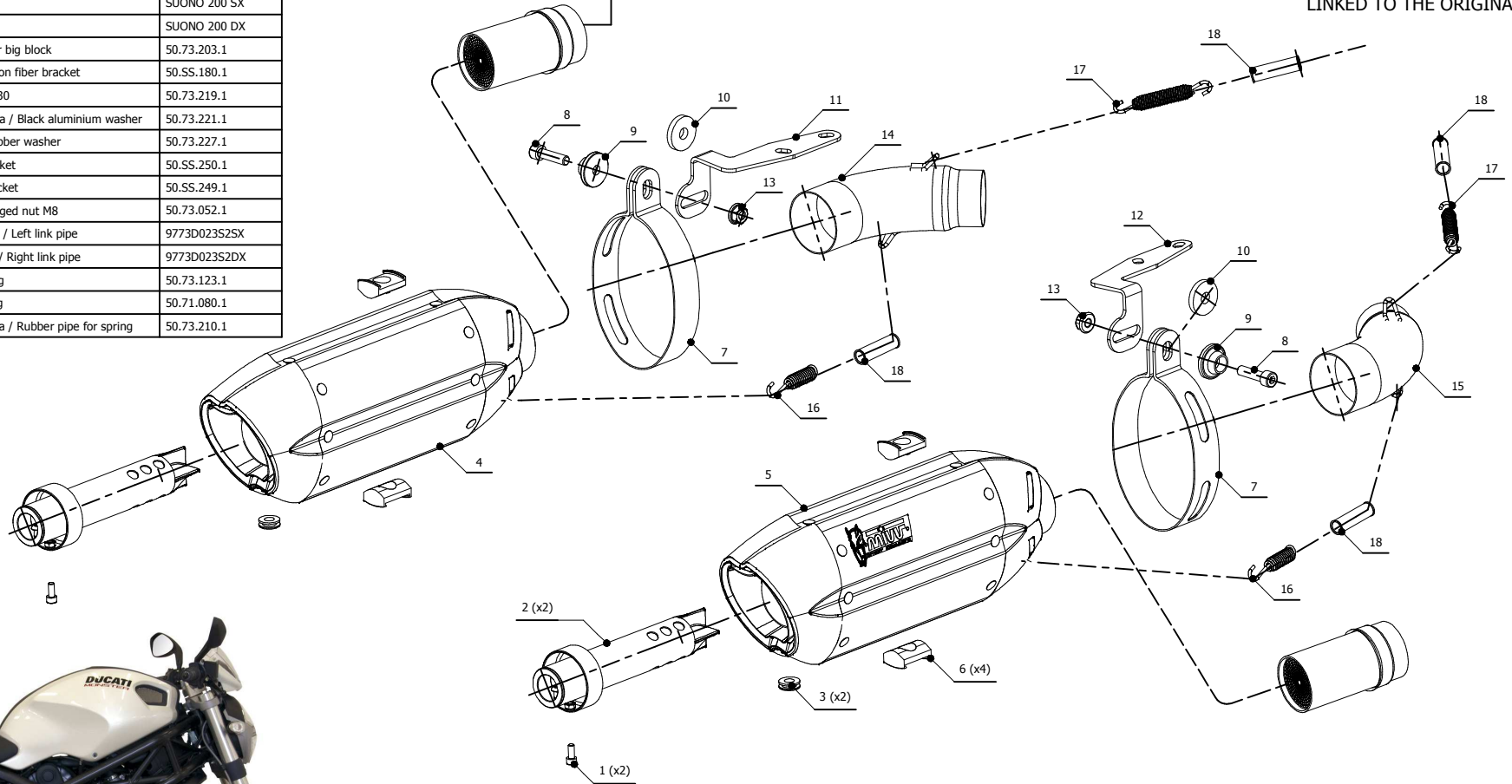
ELENCO PARTI / PARTS LIST

| # | QTÀ / QTY | DESCRIZIONE / DESCRIPTION | CODICE / CODE |
|----|-----------|---|---------------|
| 1 | 2 | Vite M5x12 / Screw M5 x 12 | 50.73.628.1 |
| 2 | 2 | Db Killer / DB killer | 50.DK.072.0 |
| 3 | 2 | Tappo in gomma / Rubber stopper | 50.73.266.1 |
| 4 | 1 | Silenziatore / Muffler | SUONO 200 SX |
| 5 | 1 | Silenziatore / Muffler | SUONO 200 DX |
| 6 | 4 | Tassello grande / Rubber big block | 50.73.203.1 |
| 7 | 2 | Staffa in carbonio / Carbon fiber bracket | 50.SS.180.1 |
| 8 | 2 | Vite M8x30 / Screw M8x30 | 50.73.219.1 |
| 9 | 2 | Rondella in alluminio nera / Black aluminium washer | 50.73.221.1 |
| 10 | 2 | Rondella in gomma / Rubber washer | 50.73.227.1 |
| 11 | 1 | Staffa sinistra / Left bracket | 50.SS.250.1 |
| 12 | 1 | Staffa destra / Right bracket | 50.SS.249.1 |
| 13 | 2 | Dado M8 flangiato / Flanged nut M8 | 50.73.052.1 |
| 14 | 1 | Tubo di raccordo sinistro / Left link pipe | 9773D023S2SX |
| 15 | 1 | Tubo di raccordo destro / Right link pipe | 9773D023S2DX |
| 16 | 2 | Molla corta / Short Spring | 50.73.123.1 |
| 17 | 2 | Molla lunga / Long spring | 50.71.080.1 |
| 18 | 4 | Tubo in gomma per molla / Rubber pipe for spring | 50.73.210.1 |

Catalytic Converter
Cod. ACC.033.A2

Optional for D.023.L7 - D.023.L9
Included in D.023.K7 - D.023.K9

COLLEGATO AL TUBO ORIGINALE
LINKED TO THE ORIGINAL PIPE



APPLICAZIONI / APPLICATIONS

| CODICE / CODE | SILENZIATORE / MUFFLER | TUBO / PIPE | FASCETTA / CLAMP | NOTE |
|----------------------|--|------------------|-------------------------|-------------------------------------|
| D.023.L7 D.023.L9 | INOX (COPPE CARBONIO) / ST. STEEL (CARBON CAPS) STEEL BLACK | INOX / ST. STEEL | CARBONIO / CARBON FIBER | CATALYTIC CONVERTER NOT INCLUDED |
| D.023.K7 D.023.K9 | INOX (COPPE CARBONIO) / ST. STEEL (CARBON CAPS) STEEL BLACK | INOX / ST. STEEL | CARBONIO / CARBON FIBER | CATALYTIC CONVERTER INCLUDED |